

22 Rigging Components

Features

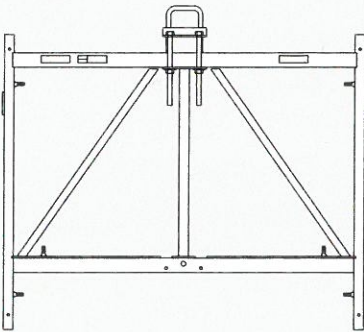
- Entire system disassembles to fit in standard elevator
- Cast iron counterweights fit into slots on frames for positive attachment
- System is easy to transport and assemble

Applications

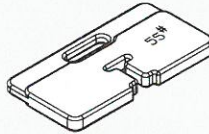
- Use two assemblies for 2-point suspended platforms (i.e. stages and modular work platforms)
- Use one assembly for 1-point suspended platforms (i.e. cages, Bosun's chairs, etc.)

Rigging Components

Part No.	Description	Weight	Capacity	Width	Height
TH013	Steel Outrigger Beam, 2' Overhang	132 lbs.	1000 lbs.		
OBSF4	Outrigger Beam Frame	74.8 lbs.		60"	50½"
TH014	55-pound Steel Counterweight	55 lbs.			
C8R	8" Caster (Rubber)	12.5 lbs.			
C8S	8" Caster (Steel)	16.6 lbs.			



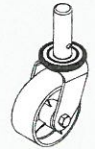
OBSF4



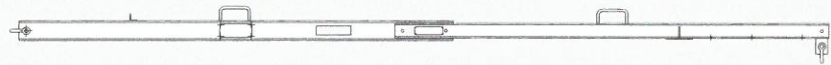
TH014



C8R



C8S



TH013

Cross Braces

Part No.	Length	Width	Weight
B123	12'	3'	27.4 lbs.
B124	12'	4'	28 lbs.
B103	10'	3'	16.8 lbs.
B104	10'	4'	17.2 lbs.

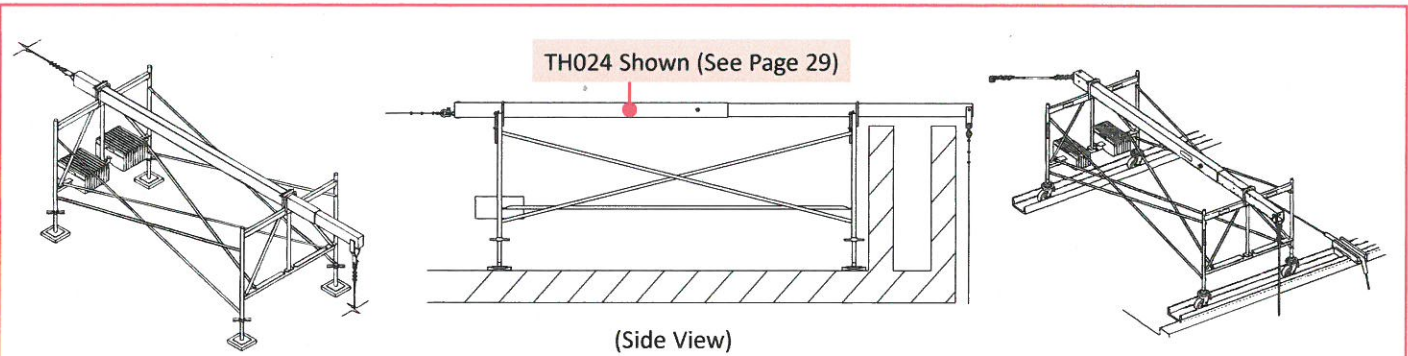


Figure 7 – Elevated Model (Stationary or Rolling)