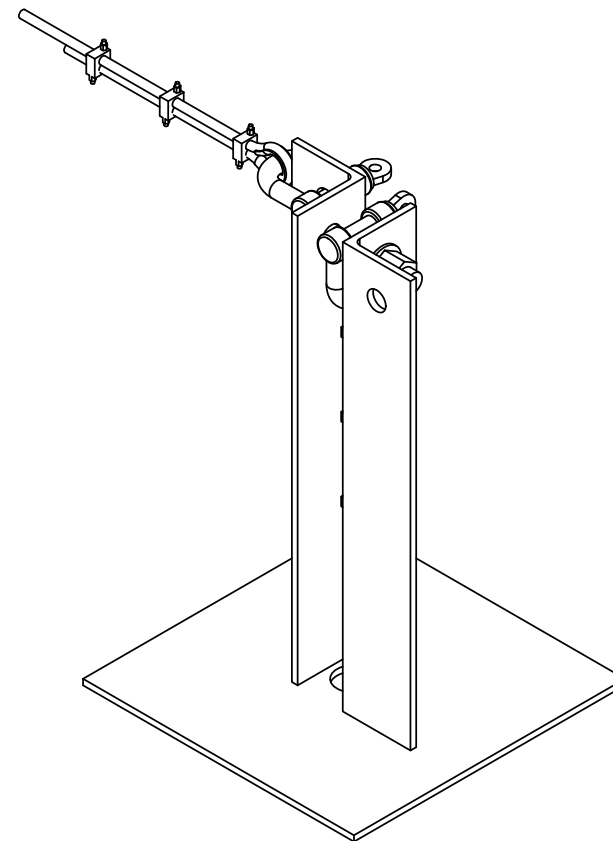
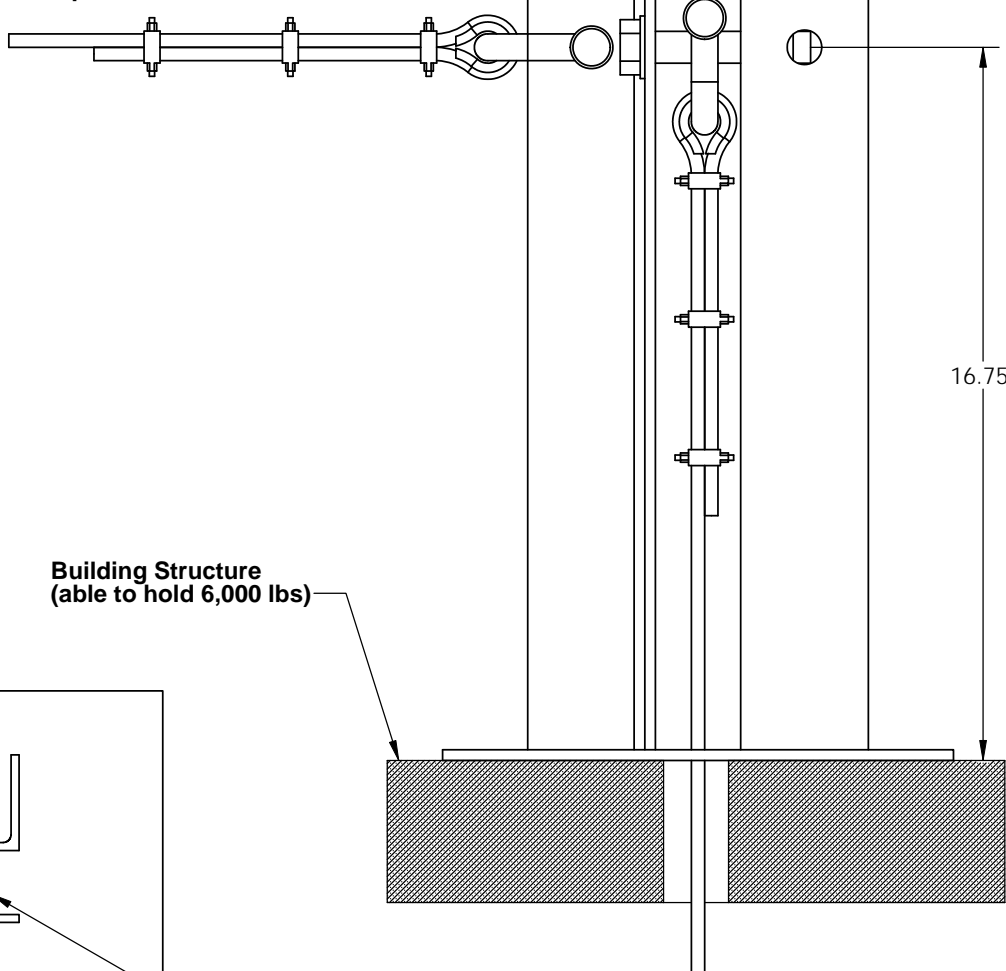
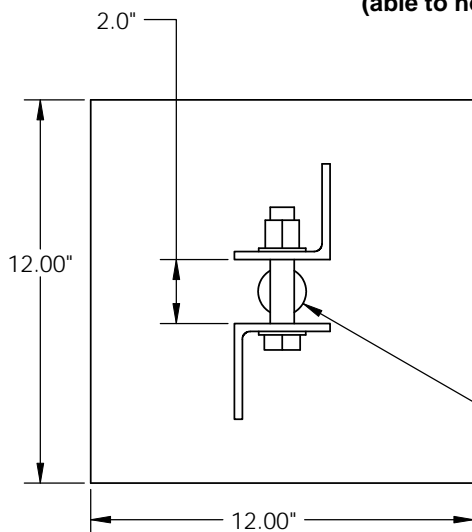


Optional Tieback Line



Building Structure
(able to hold 6,000 lbs)



Suspension Wire Rope

Maximum Load Capacity: 1,500 lbs
(includes 4:1 safety factor)

NOTE:
Tieback and Suspension Line
are NOT shown

A	Redrawn in 3D	BJA	08-27-09
REV	REVISION DESCRIPTION	BY	DATE
MATERIAL	ASSEMBLY	WEIGHT	26.6 LBS
TREATMENT	N/A	THE INFORMATION CONTAINED IN THIS DRAWING IS THE SOLE PROPERTY OF BEE ACCESS PRODUCTS. ANY REPRODUCTION IN PART OR WHOLE WITHOUT THE WRITTEN PERMISSION OF BEE ACCESS PRODUCTS IS STRICTLY PROHIBITED.	
SCALE	1:3	SIZE	B/A3
TOL.	±0.1	±0.2	±0.3 ±0.5 ±0.8
CAD GENERATED DRAWING. DO NOT MANUALLY UPDATE. DO NOT SCALE DRAWING.	MACHINED SURFACES 12.5° UNLESS OTHERWISE STATED TOLERANCES IN INCHES		
APPROVALS	BY	DATE: MM-DD-YY	PROJECT
DRAWN	BJA	08-27-09	Pigeonhole Stand Application
APPROVED	XX-XX-XX		Rigging
			REV A
			PART NO. 920134
			SHEET 1 OF 1