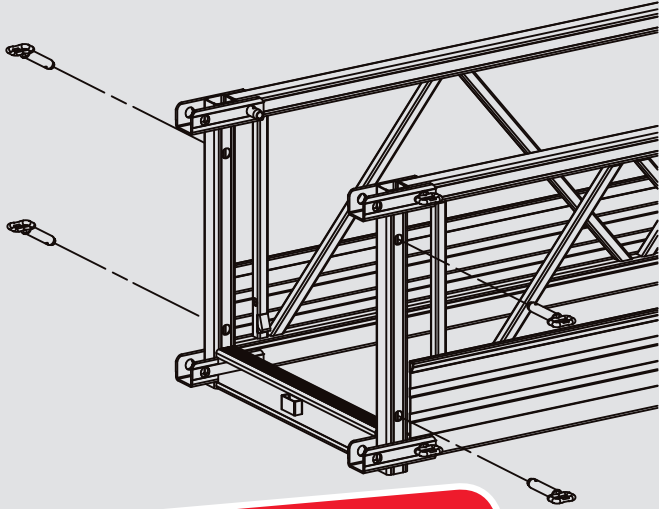


U-Frame MHB

PROFESSIONAL

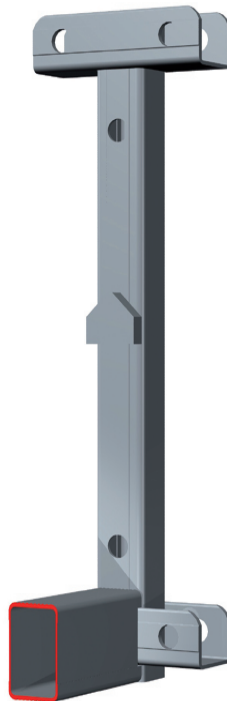
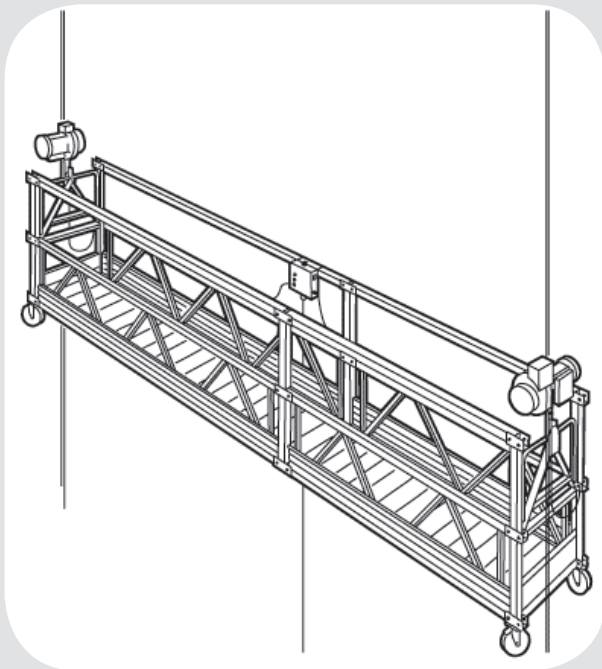


Altrex has an innovation ! The research and development department has designed an extra strong U-frame. The lower extrusion off the U-frame is improved with a extra strong extrusion with a wall thickness of 6 mm.

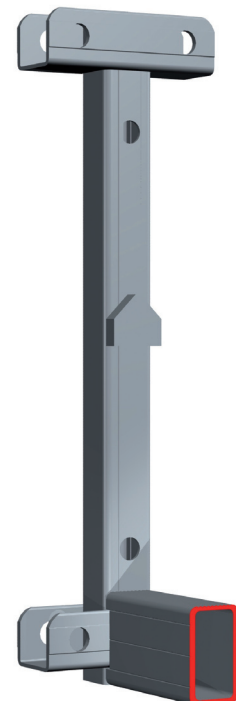
- Occur demaching by use
- Longer lifetime!
- Light weight aluminum construction
- Used to connect te Side Frames and build the basic framework
- U-frame is provided with 8 Quick-pins (3 sets of 2) that are attached with lanyards to prevent unintentional loss of the pins
- Will be approved bij UL
- Part of the Altrex MHB-system

IMPROVED

Improved U-Frame: Extra Strong!



2 mm thickness



6 mm thickness



Relax. It's an Altrex.

www.altrex.com

