

BISOMAC 210

Traction Hoist for Suspended Platform

Advanced Technology Delivers
Maximum Power In A Compact,
Lightweight Design



Suspended Platform with
BISOMAC210 Traction Hoist



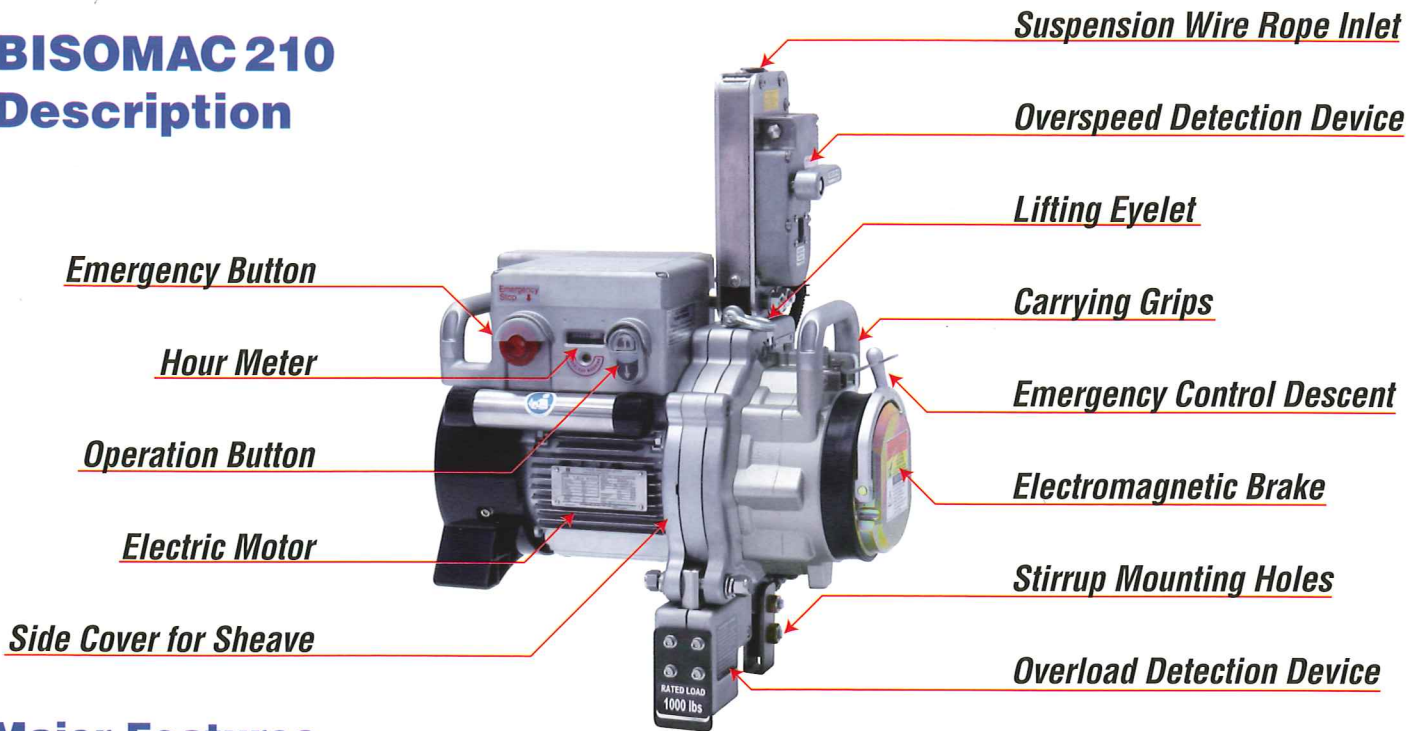
NIHON BISOH is proud to announce the release of the new BISOMAC210 Traction Hoist, a remarkably compact and lightweight Traction Hoist featuring our exclusive patented mechanism. Easy to maintain and highly durable, this full-powered, full-featured BISOMAC210 is the next-generation traction hoist for the new era of ultra-high-rise buildings.





NIHON BISOH Proudly Introduces the Traction Hoist for the 21st Century!

BISOMAC 210 Description



Major Features

- Performance**
- Strong to Voltage Drops Assuring Smooth, Steady Lifting for Skyscrapers
 - Friendly for Wire Rope
- Maintenance**
- Minimal Number of Components for Easy Assembly and Disassembly
 - Maintenance Simplified With Easy Side Cover Access
 - Minimal Parts Requiring Inspection or Replacement
- Handling Safety**
- Well Balanced Two Carrying Grips for Easy Handling
 - Designed to Assure Foolproof Operation and Prevent Malfunctions
 - Safety Devices Can Be Integrated to Meet Various Regulations
- **Integratable Devices include:**
- Overspeed Device, Overload Device, Slack Rope Device, Upper/Ultimate Limit, Rope End Limit

Designed "less components"

Company B = 60 pcs.
Company F = 58 pcs.
Company A = 45 pcs.
BISOMAC 210 = 30 pcs.

Compact "Light Weight"

Company B = 145 lbs
Company F = 135 lbs
Company A = 130 lbs
BISOMAC 210 = 128 lbs

Specifications

Capacity	Phase	Voltage	Control	Wire Rope	Speed	Dimensions	Weight	UL File No.
1500 lbs	1	208 V/60 Hz	Independent	3/8 in.	35 fpm	24 x 12 x 18 in.	128 lbs	SA9398
1000 lbs	1	208 V/60 Hz	Independent	5/16 in.	35 fpm	24 x 12 x 18 in.	128 lbs	SA9398

NOTE: SPECIFICATIONS MAY CHANGE WITHOUT NOTICE



Bee Access Products

2145 Indian Road
 W. Palm Beach, FL 33409
 Ph: (561) 616-9003
 Fax: (561) 616-9005
 info@beeaccess.com
 www.beeaccess.com

West Coast Branch:
 11947 E. Florence Ave.
 Suite 5
 Santa Fe Springs, CA 90670
 Ph: (562) 903-0004
 Fax: (562) 903-0006

